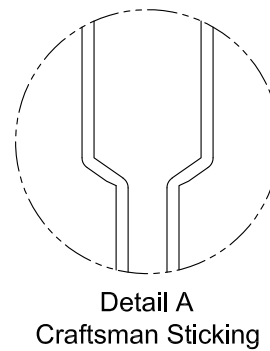
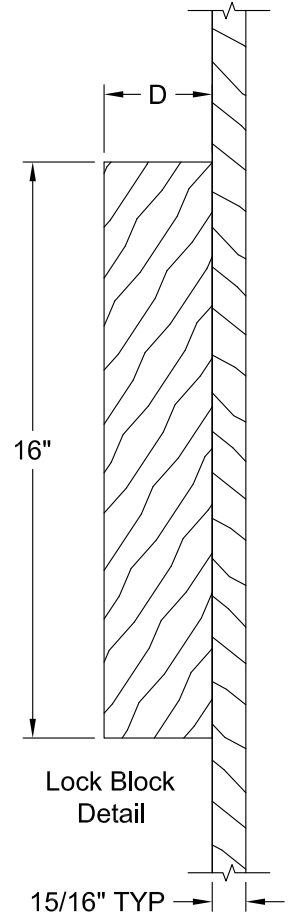
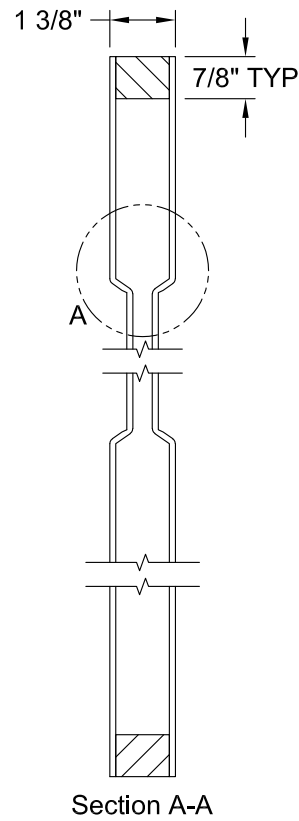
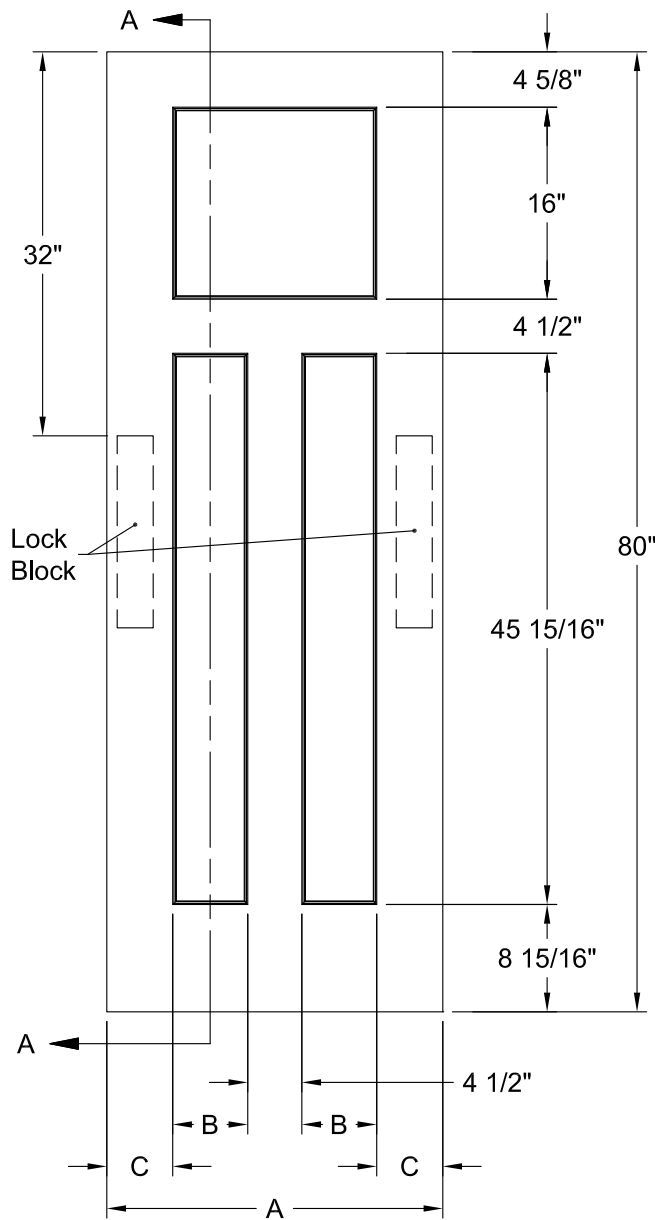
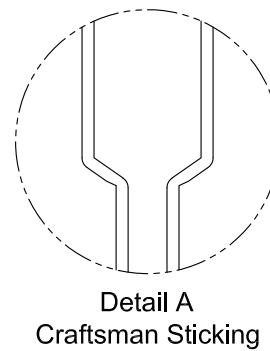
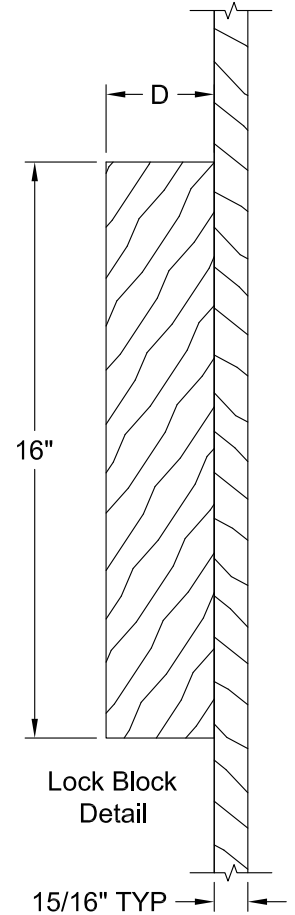
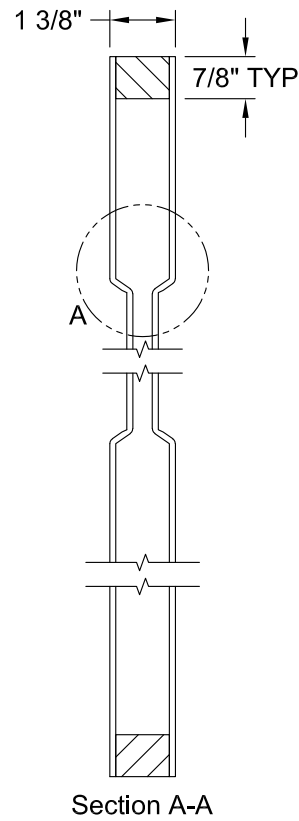
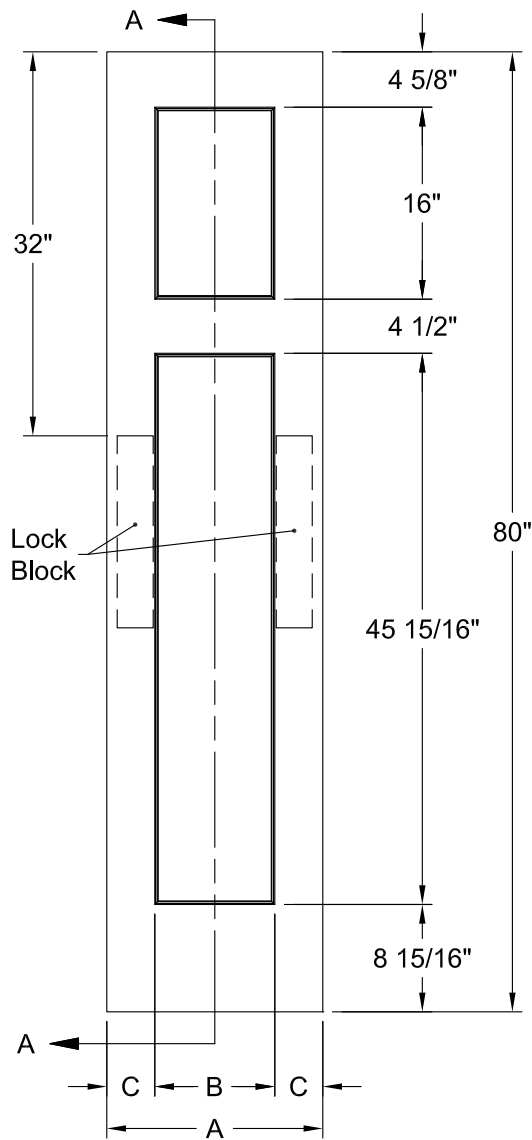


CRAFTSMAN SMOOTH 6'-8"



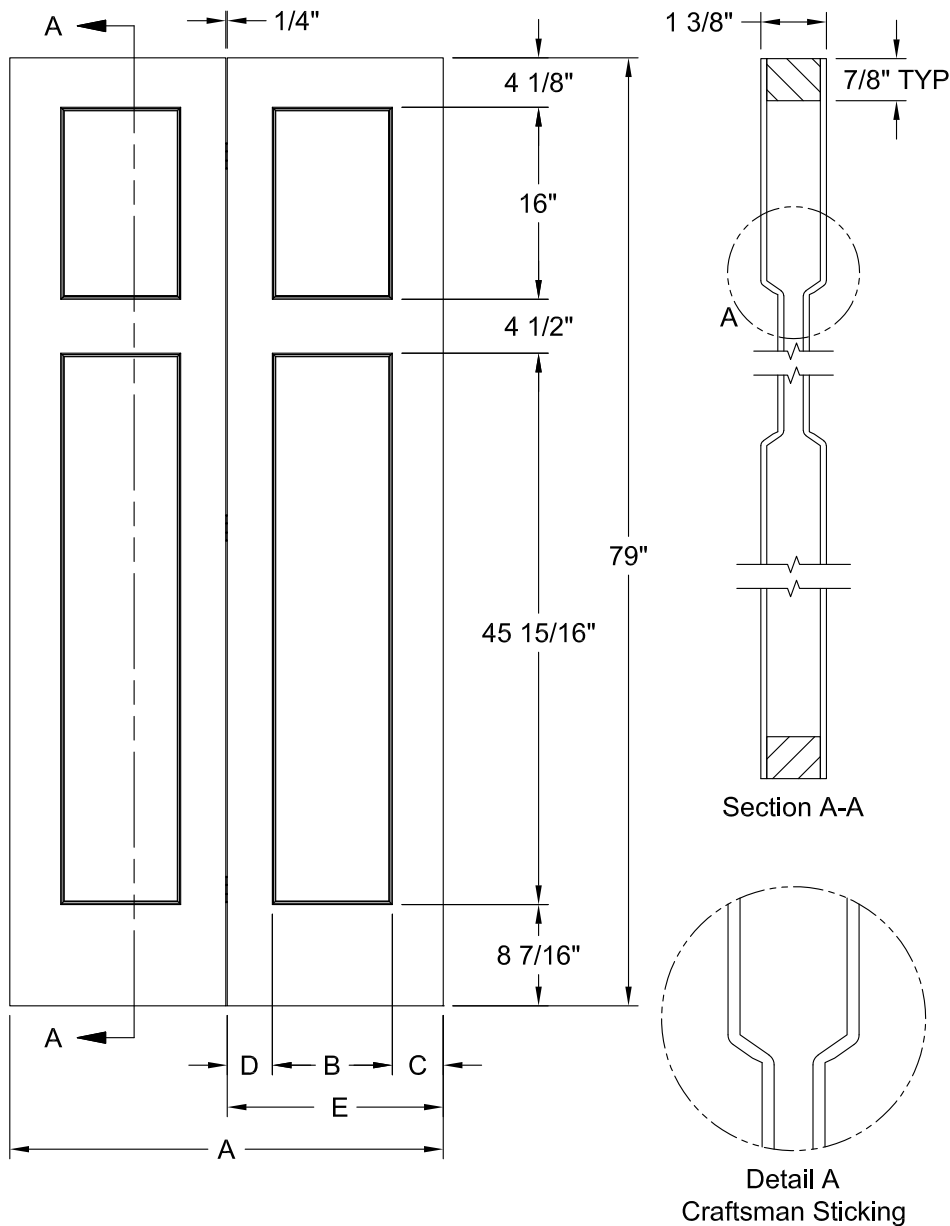
Dimension Table			
Door Size	A	B	C
3'-0" x 6'-8"	36"	10 1/4"	5 1/2"
2'-10" x 6'-8"	34"	10 1/4"	4 1/2"
2'-8" x 6'-8"	32"	8 1/4"	5 1/2"
2'-6" x 6'-8"	30"	8 1/4"	4 1/2"
2'-4" x 6'-8"	28"	6 1/4"	5 1/2"
2'-2" x 6'-8"	26"	6 1/4"	4 1/2"
2'-0" x 6'-8"	24"	5 1/4"	4 1/2"

CRAFTSMAN SMOOTH 6'-8"



Dimension Table				
Door Size	A	B	C	D
1'-10" x 6'-8"	22"	10"	6"	3"
1'-8" x 6'-8"	20"	10"	5"	3"
1'-6" x 6'-8"	18"	10"	4"	3"
1'-4" x 6'-8"	16"	8 1/4"	3 7/8"	2 11/16"
1'-3" x 6'-8"	15"	6"	4 1/2"	3"
1'-2" x 6'-8"	14"	6"	4"	3"
1'-0" x 6'-8"	12"	4"	4"	2 1/8"

CRAFTSMAN BIFOLD SMOOTH 6'-8"



Dimension Table					
Door Size	A	B	C	D	E
3'-0" x 6'-8"	36"	10"	4 1/4"	3 3/4"	17 7/8"
2'-10" x 6'-8"	34"	8 1/4"	4 1/2"	4 1/4"	16 7/8"
2'-8" x 6'-8"	32"	8 1/4"	4"	3 3/4"	15 7/8"
2'-6" x 6'-8"	30"	6"	4 5/8"	4 3/8"	14 7/8"
2'-4" x 6'-8"	28"	6"	4 1/8"	3 7/8"	13 7/8"
2'-2" x 6'-8"	26"	6"	3 5/8"	3 3/8"	12 7/8"
2'-0" x 6'-8"	24"	4"	4 1/8"	3 7/8"	11 7/8"
1'-10" x 6'-8"	22"	4"	3 5/8"	3 3/8"	10 7/8"
1'-8" x 6'-8"	20"	4"	3 1/8"	2 7/8"	9 7/8"